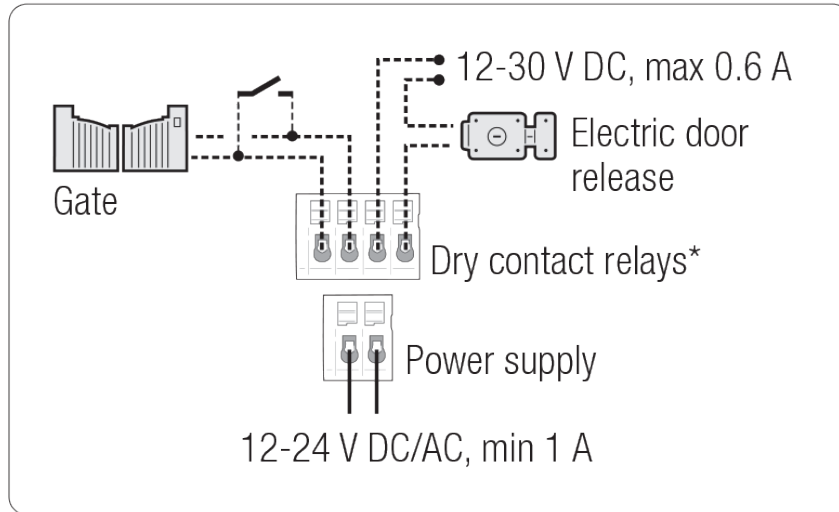


Connect the device according to this diagram:



*\* Examples of use (equipment not supplied)*

The wires can be connected in either direction (the device handles the polarity).

To connect a wire: 1. Push in the orange button.  
2. Insert the wire. 3. Release the button.

Once the connections have been made, replace the rubber cap and tidy away any excess wire so that it does not obstruct the device's contact with the wall.